

FMR

Schematics

Klark Teknik Building
Walter Nash Road
Kidderminster
Worcestershire
DY11 7HJ

Tel: +44 (0) 1562 741515

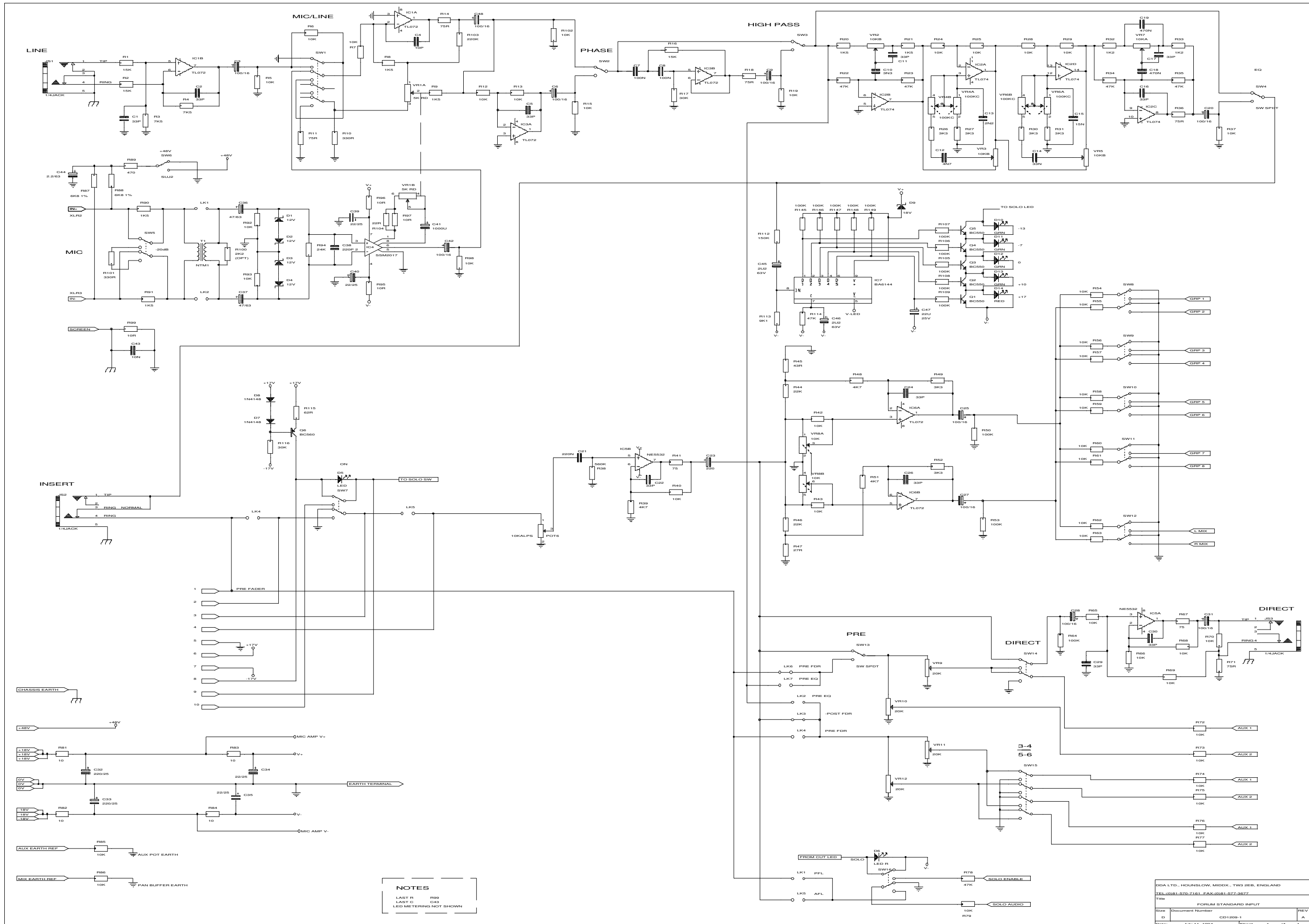
Fax: +44 (0) 1562 745371

Email: info@uk.telex.com

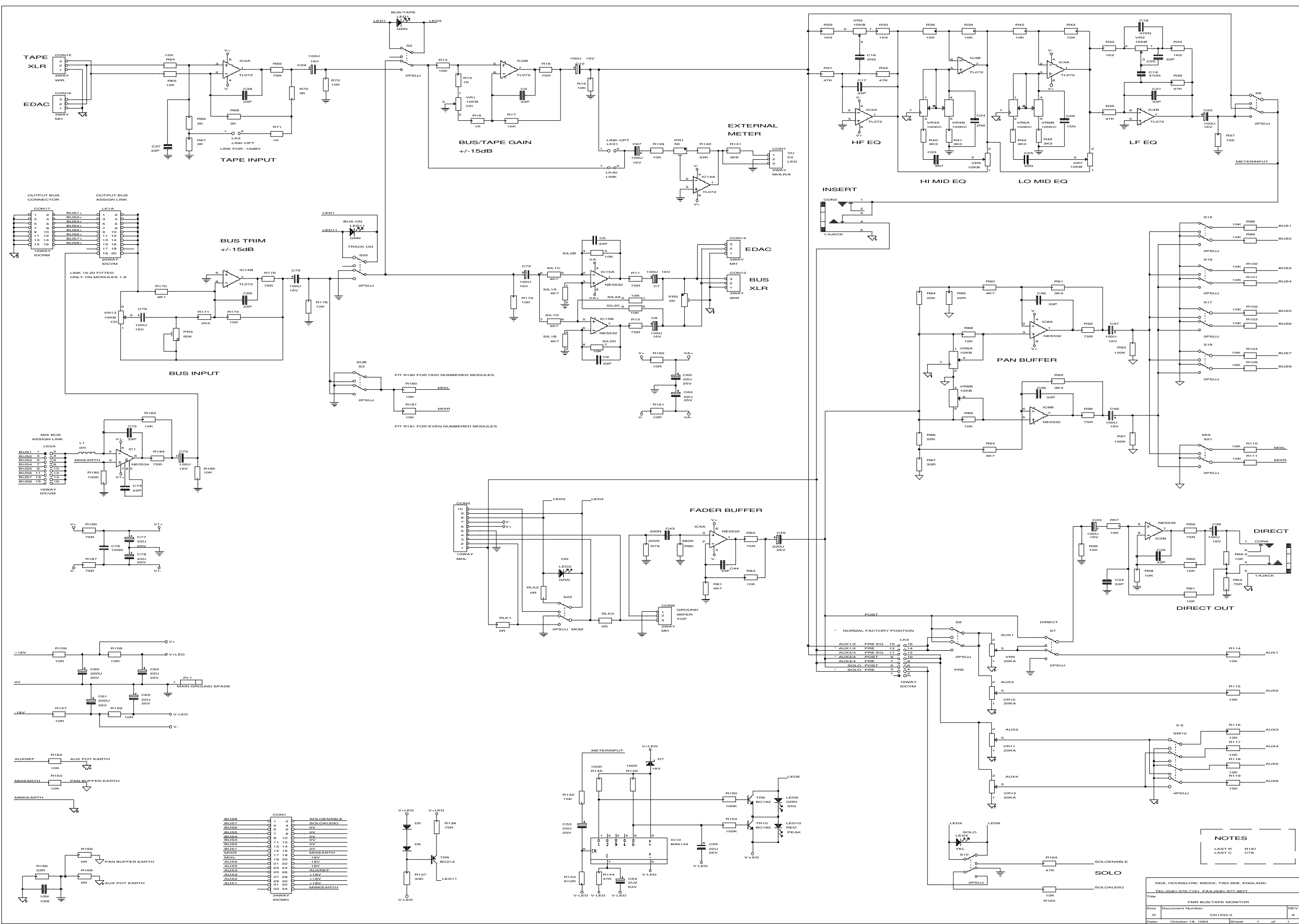
Website: www.ddaconsoles.com

FMR Schematics
© Telex Communications (UK) Limited

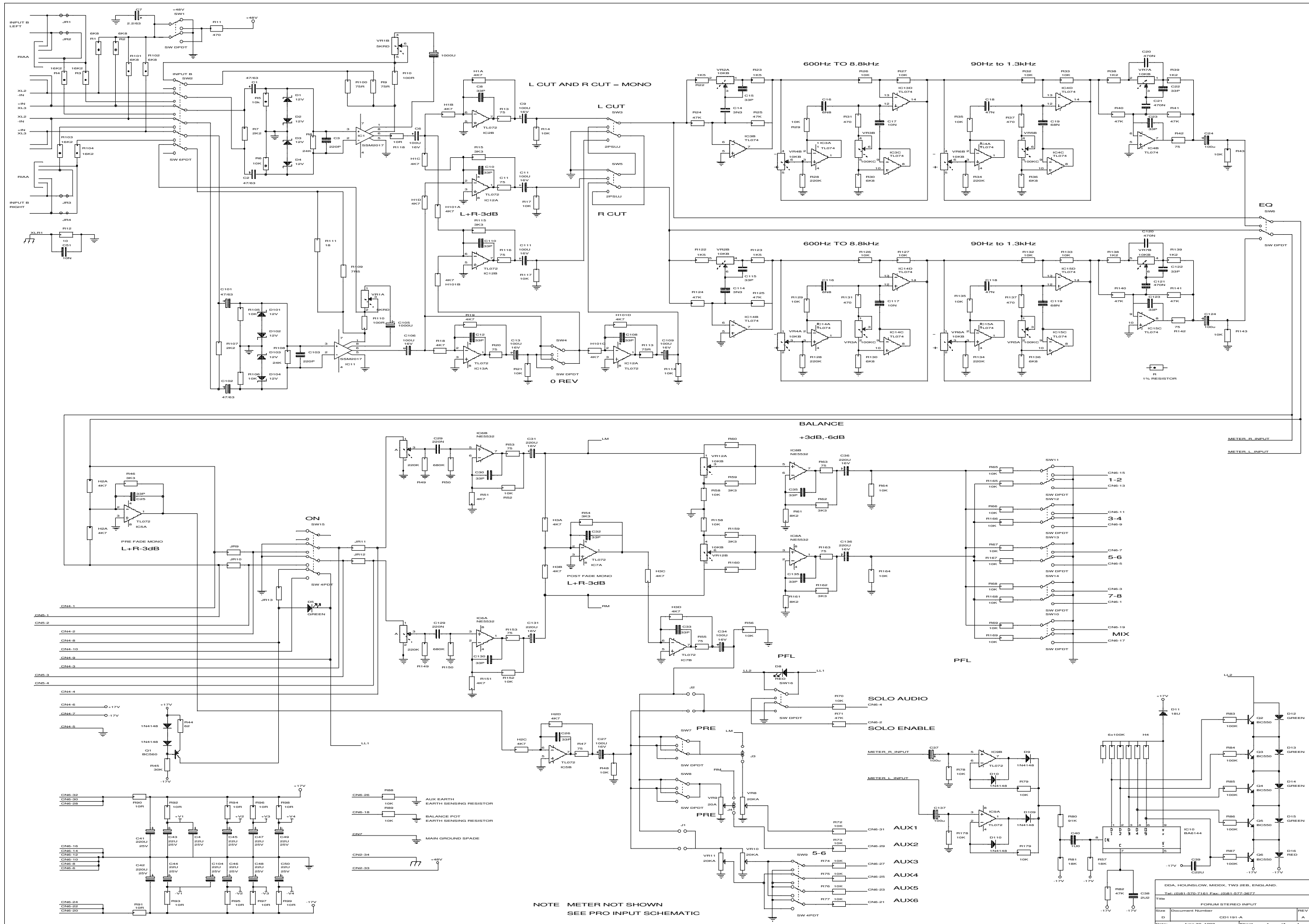
In line with the company's policy of continual improvement, specifications and function maybe subject to change without notice. This Operator Manual was correct at the time of writing. E&OE.



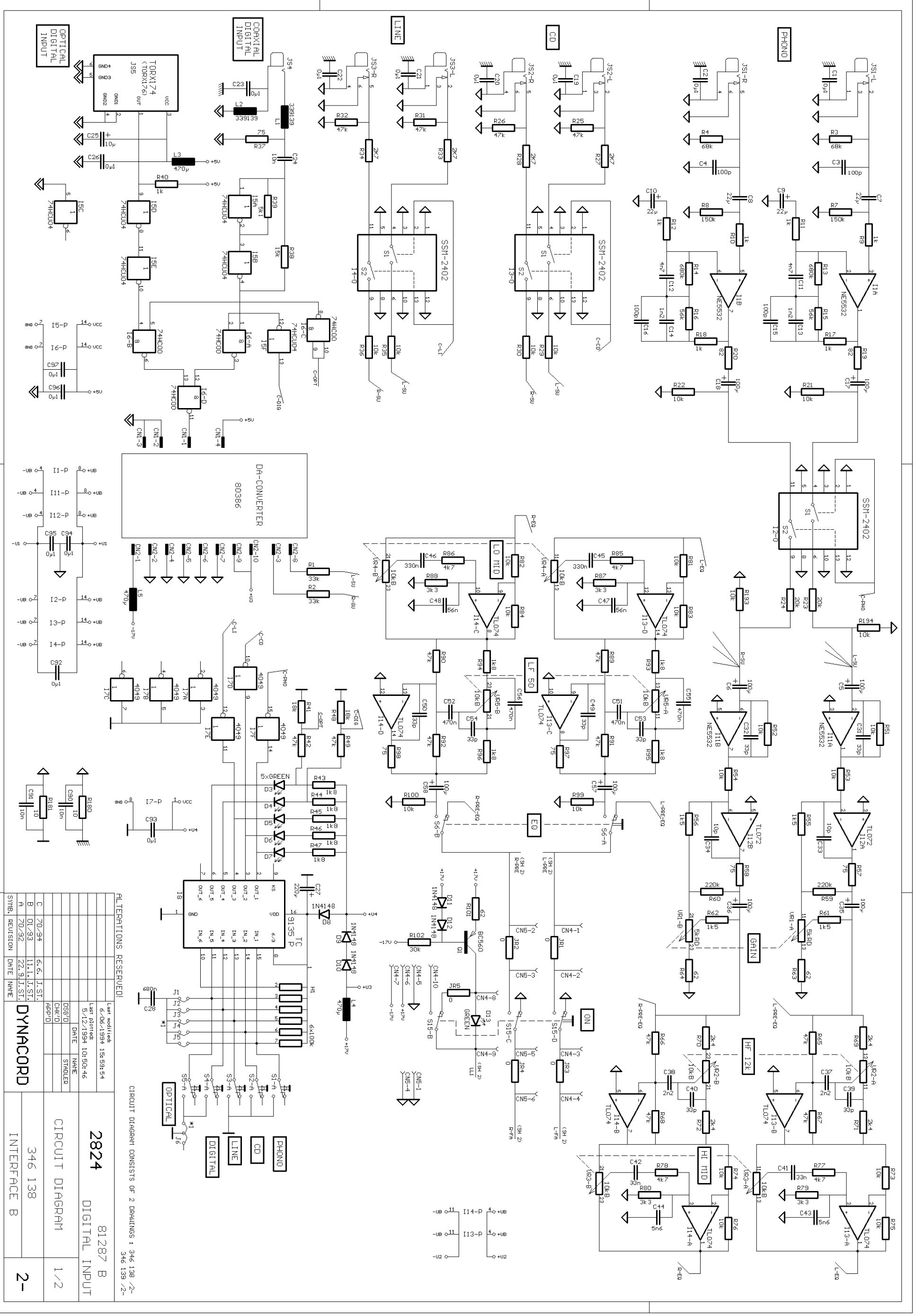
NOTES
 LAST R R99
 LAST C C43
 LED METERING NOT SHOWN



NOTES
 LAST R R187
 LAST C C76



NOTE METER NOT SHOWN
SEE PRO INPUT SCHEMATIC



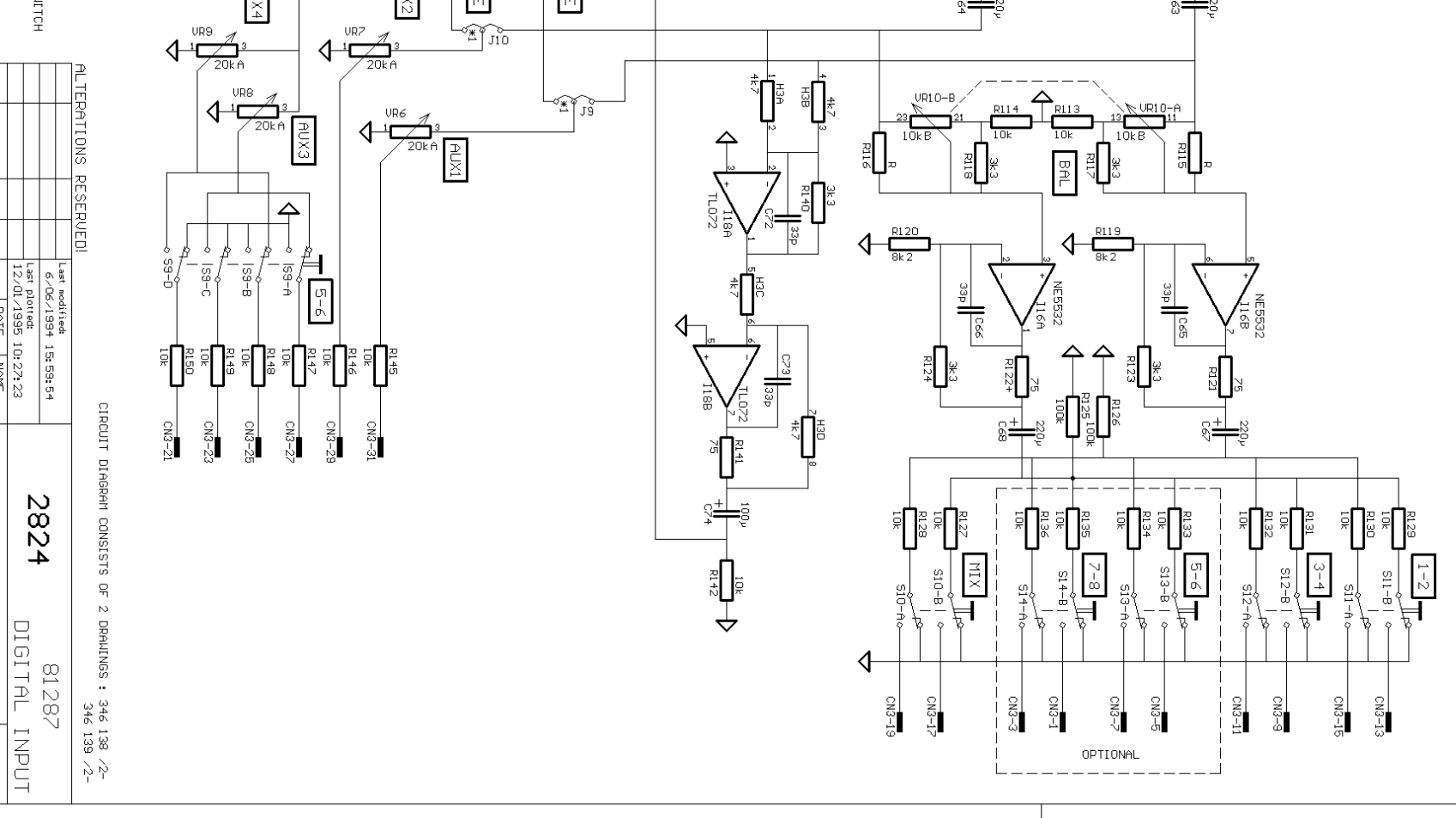
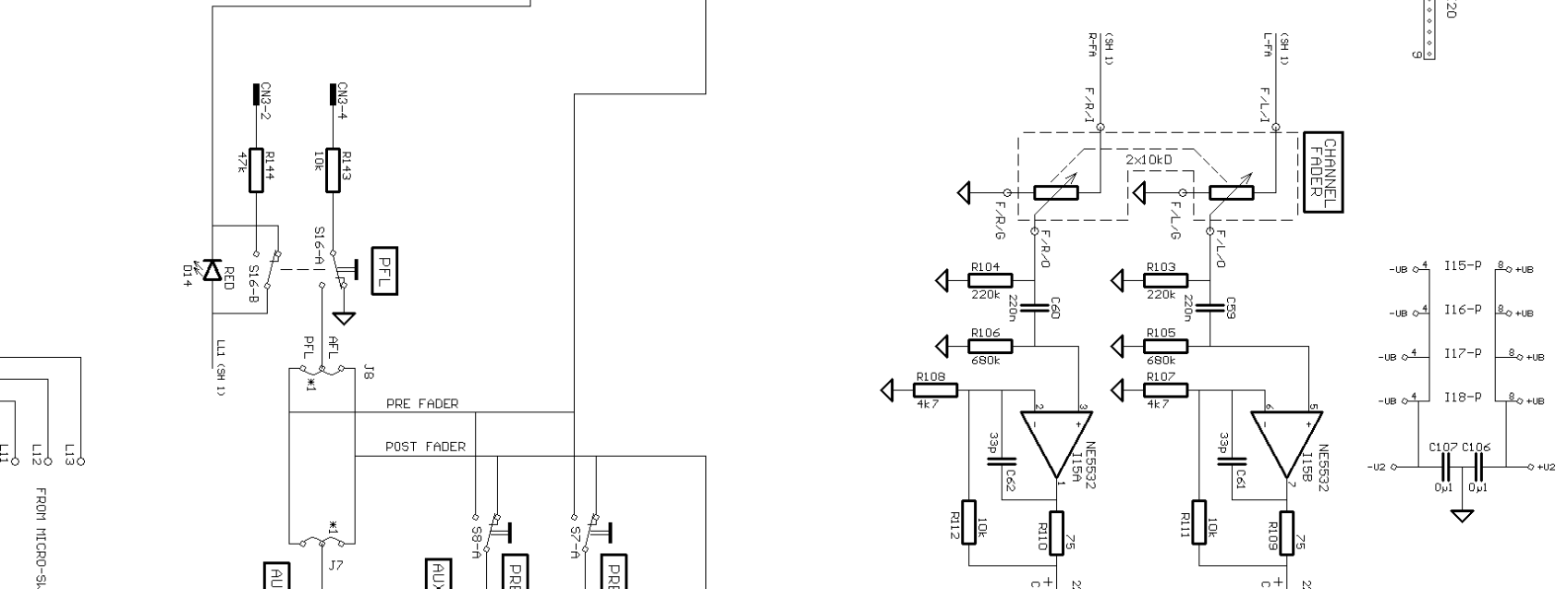
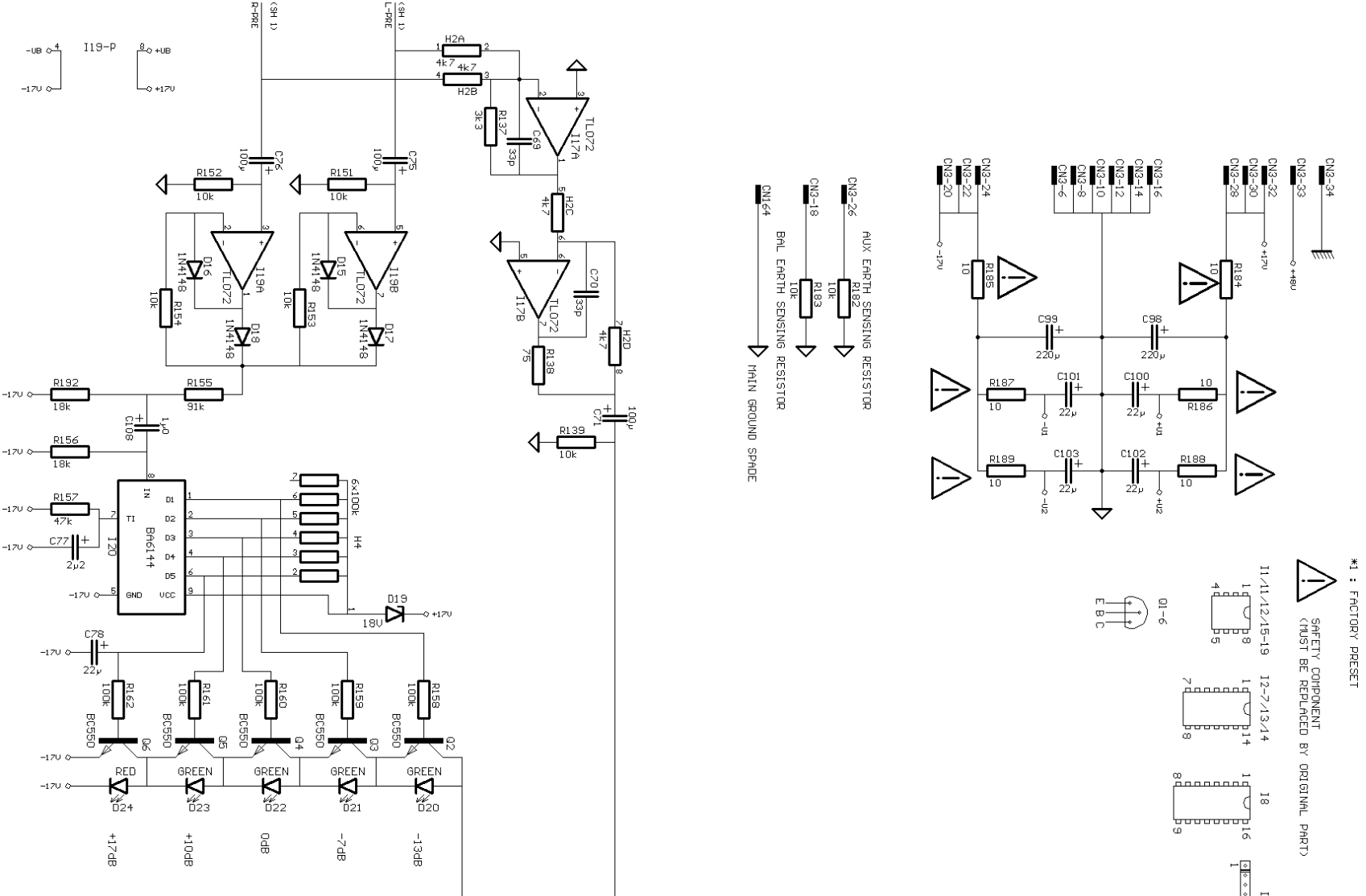
ALTERATIONS RESERVED!
 Last modified 6/06/1994 15:59:54
 Last printed 5/12/1994 10:50:46
 DATE NAME
 OSF/D
 CHK/D
 HPP/D

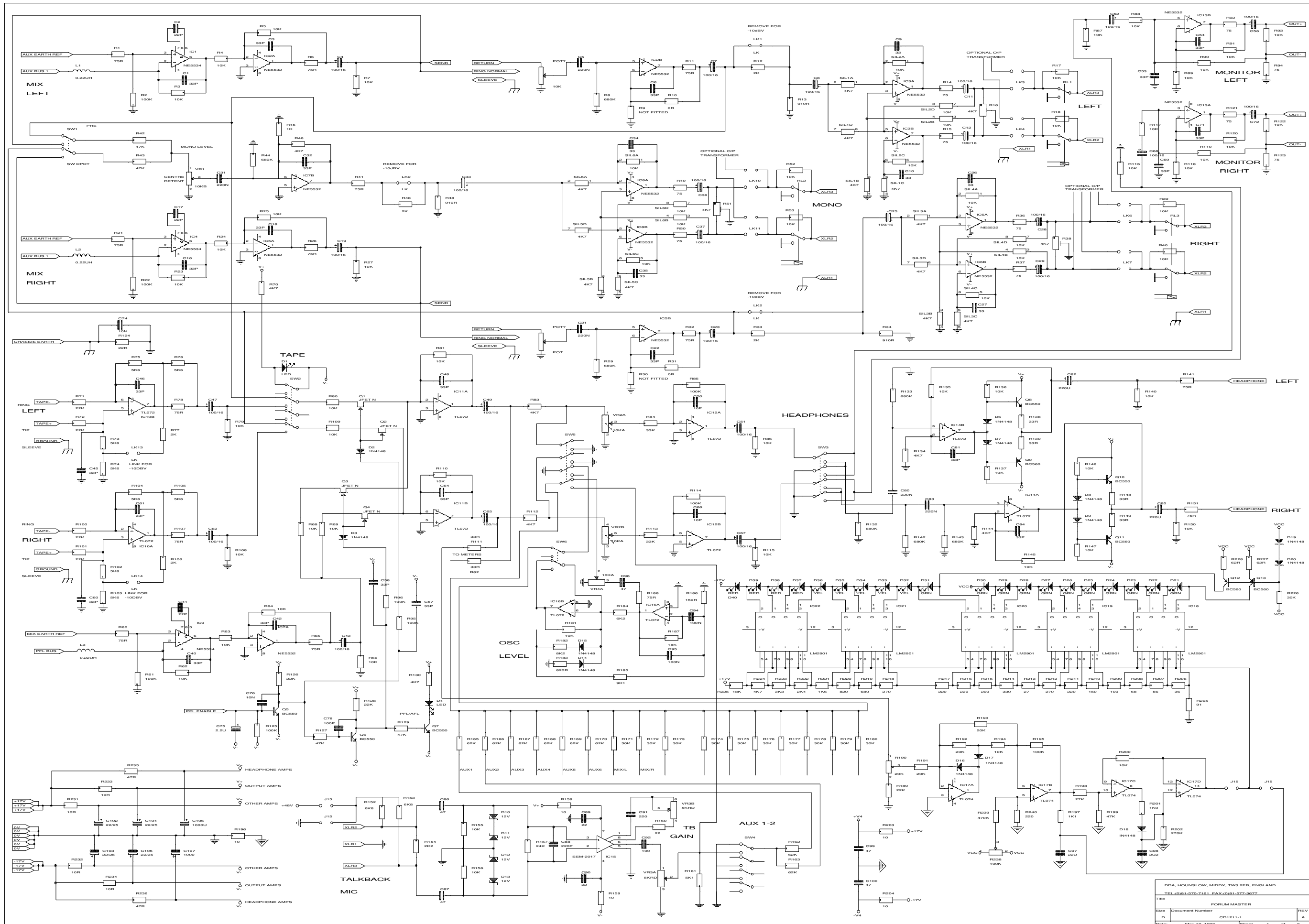
2824 81287 B
 DIGITAL INPUT

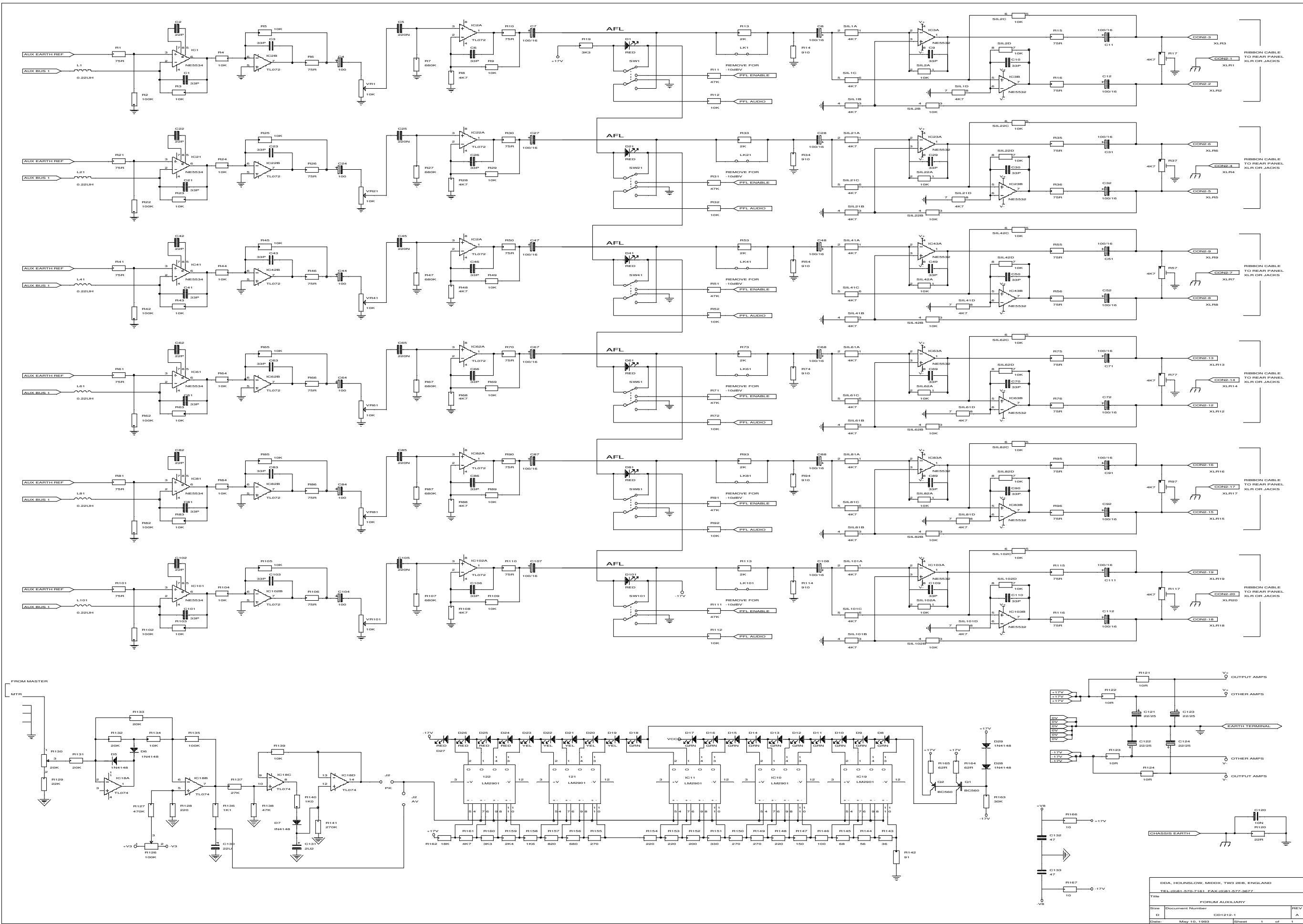
CIRCUIT DIAGRAM 1/2

346 138

DYNACORD
 INTERFACE B 2-

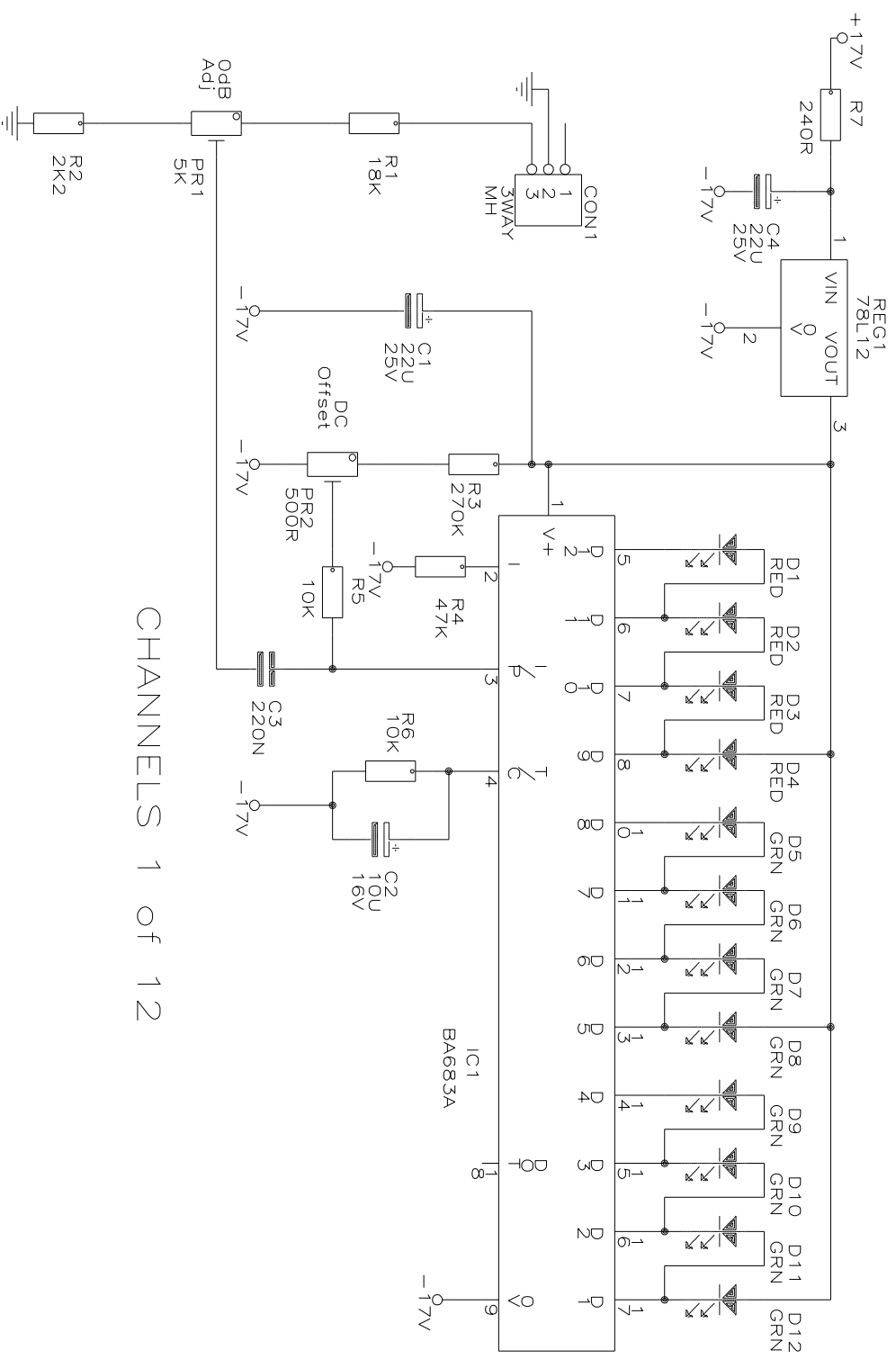






DDA, HOUNSLOW, MIDDX, TW3 2EB, ENGLAND
 TEL: (081) 578 7161 FAX: (081) 577 3677

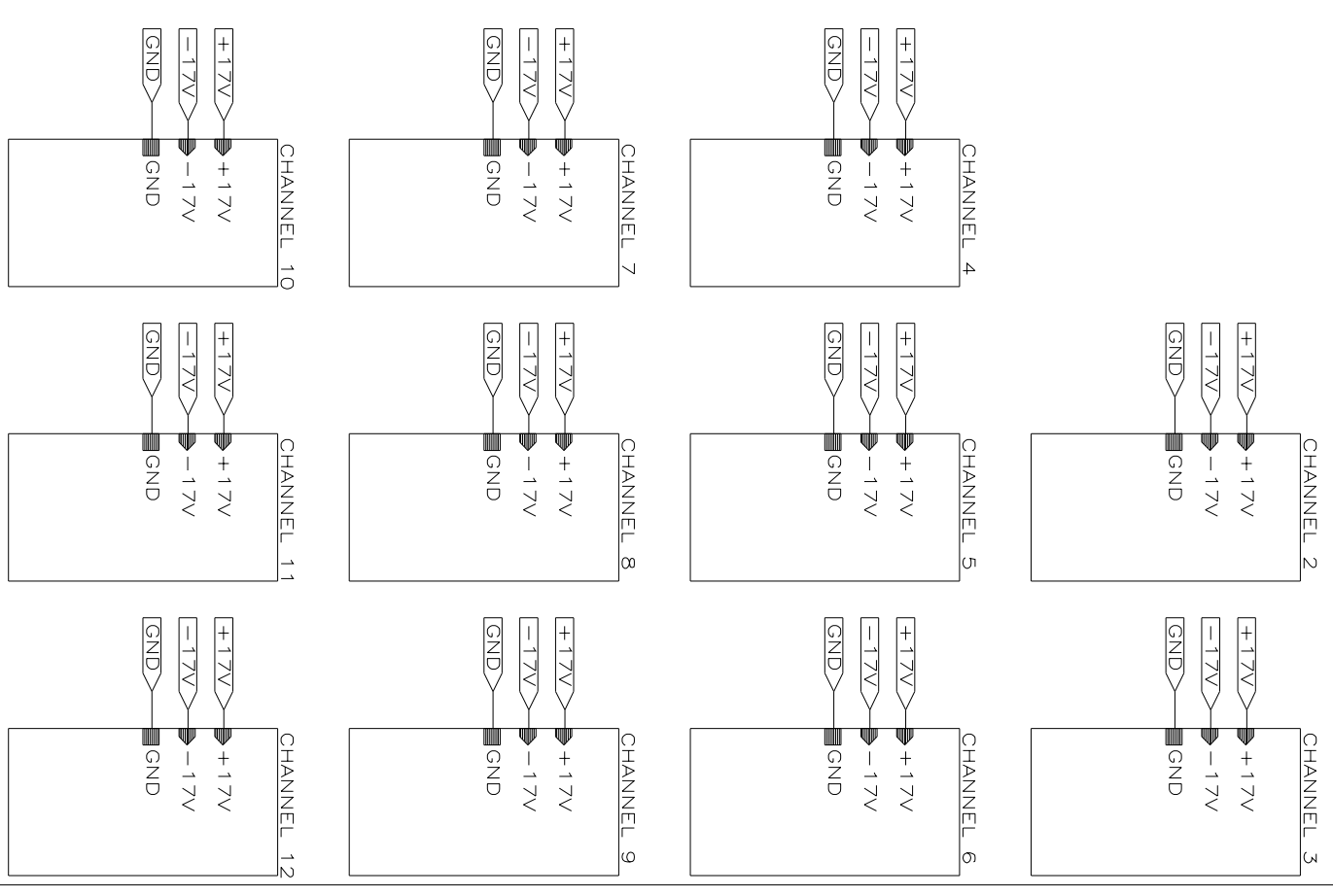
Title: FORUM AUXILIARY
 Size: Document Number
 D: CD1219-1
 Date: May 10, 1993 Sheet 1 of 1

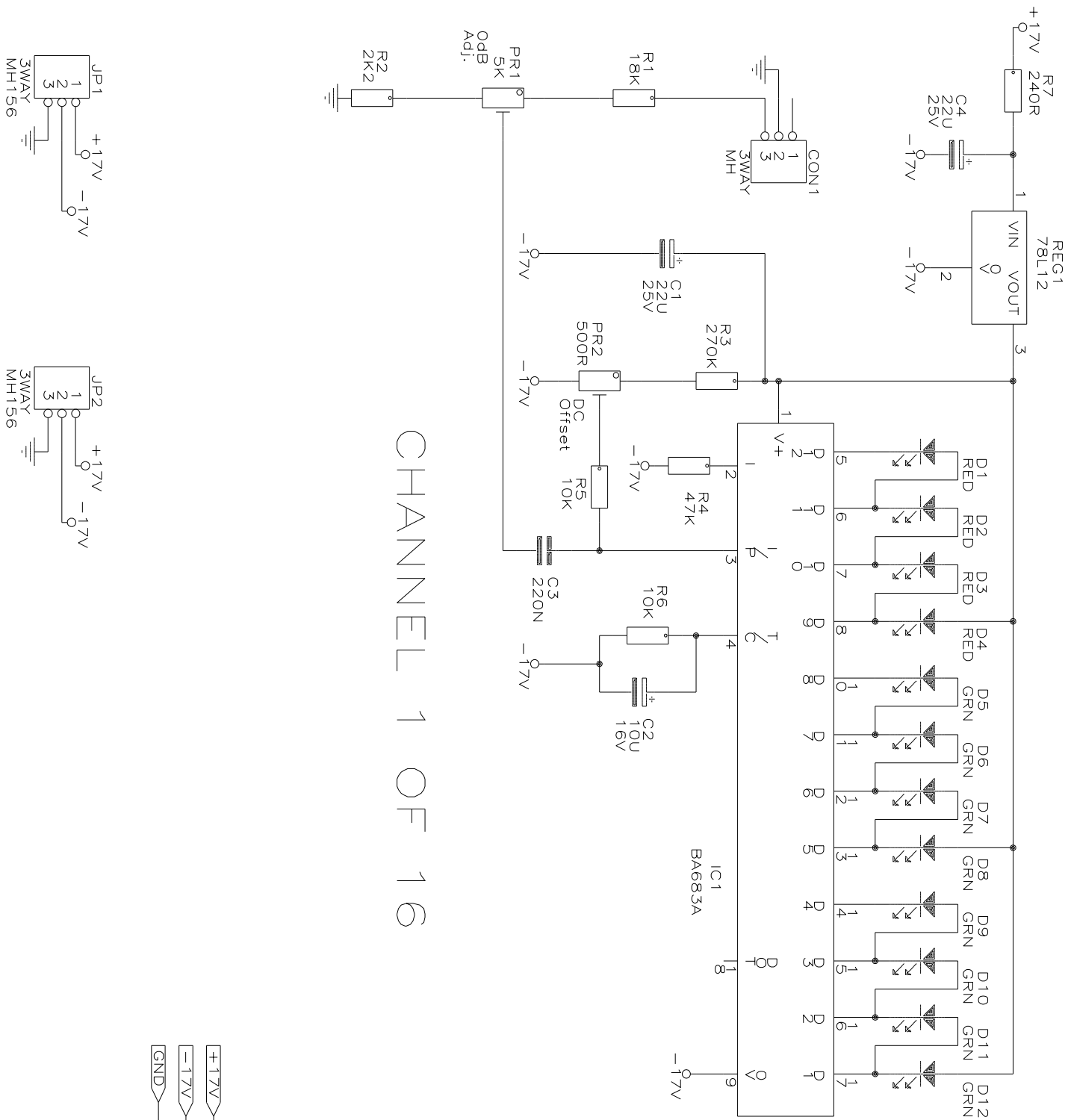


CHANNELS 1 OF 12



Power Input

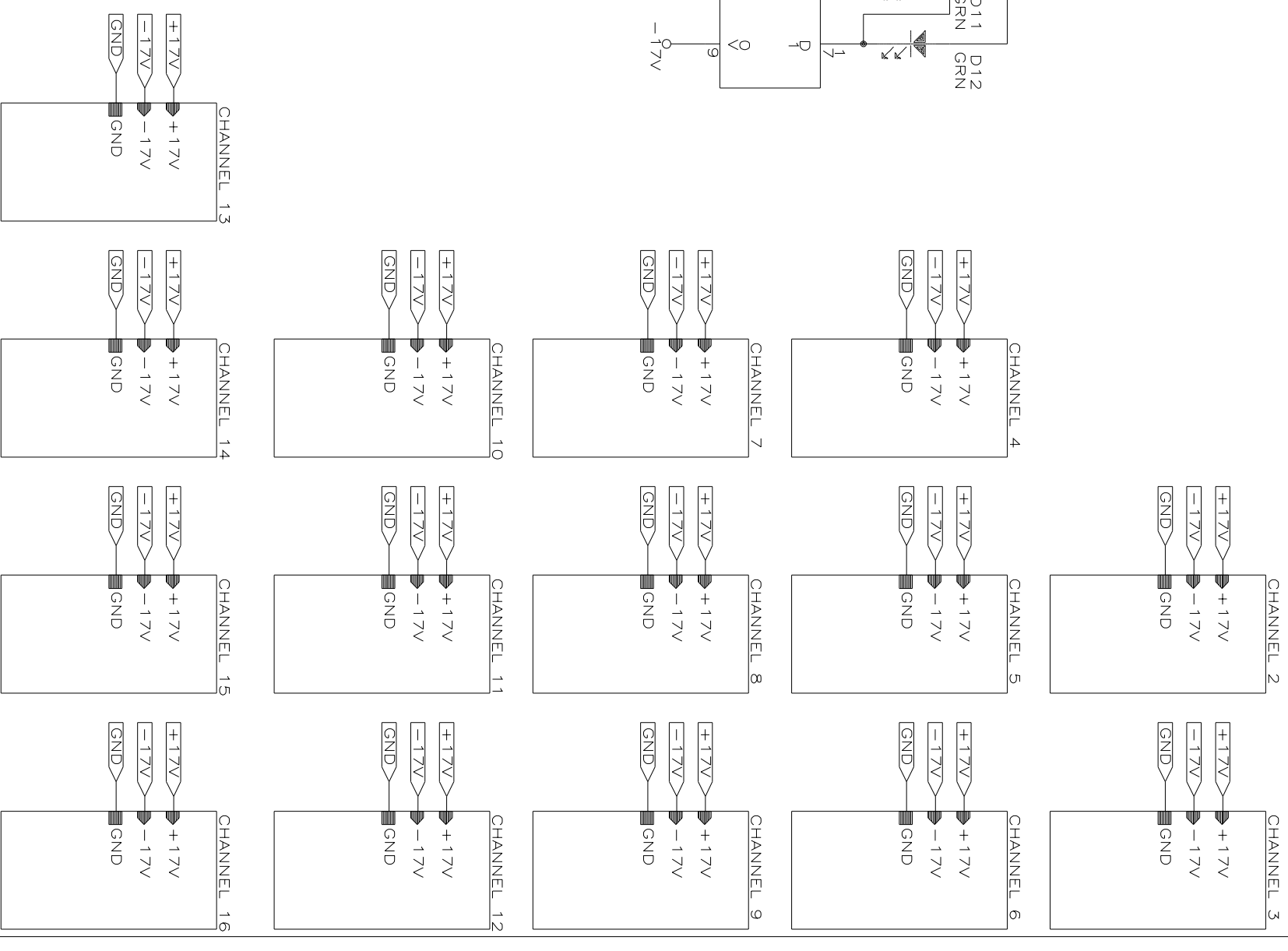


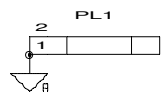
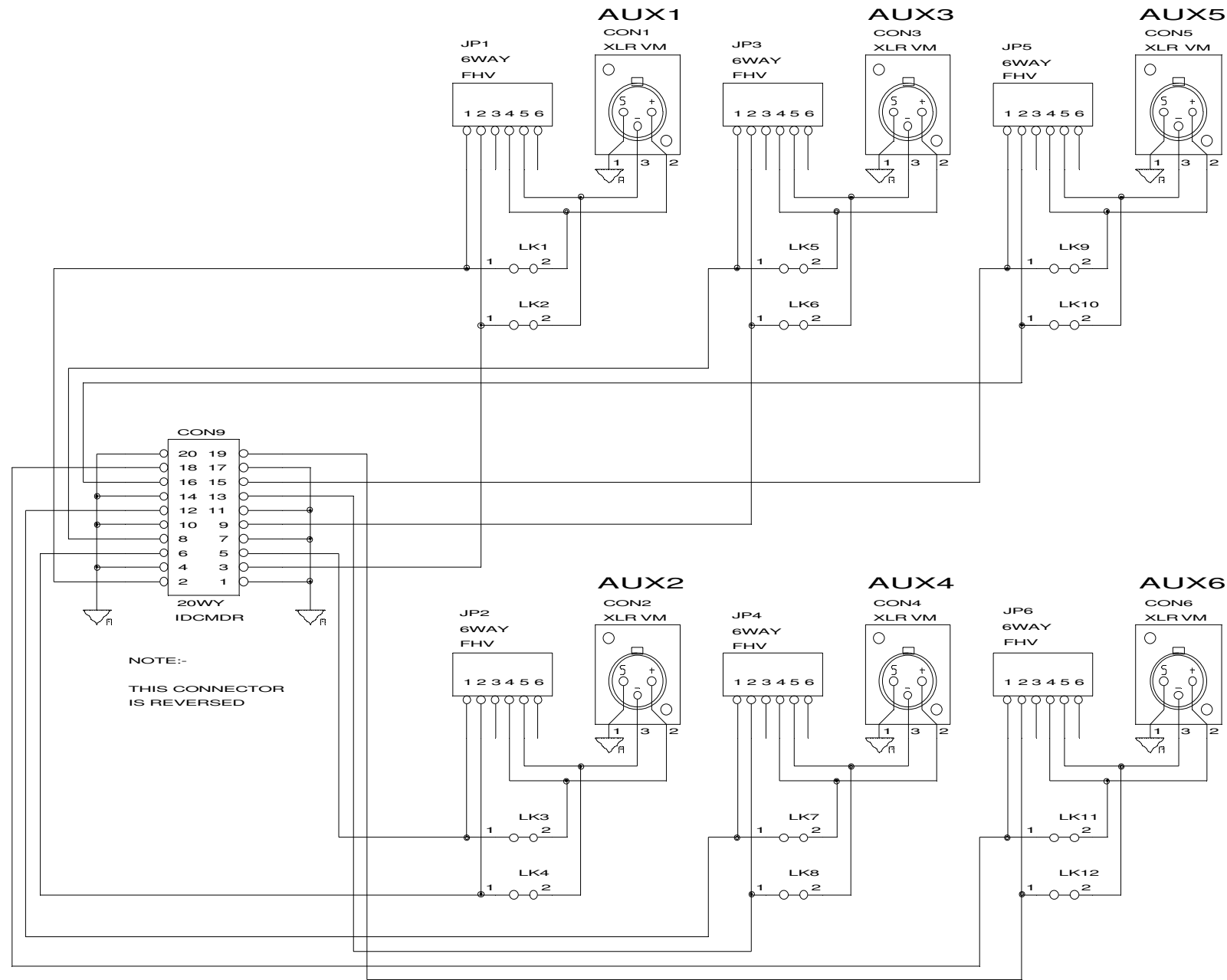


CHANNEL 1 OF 16

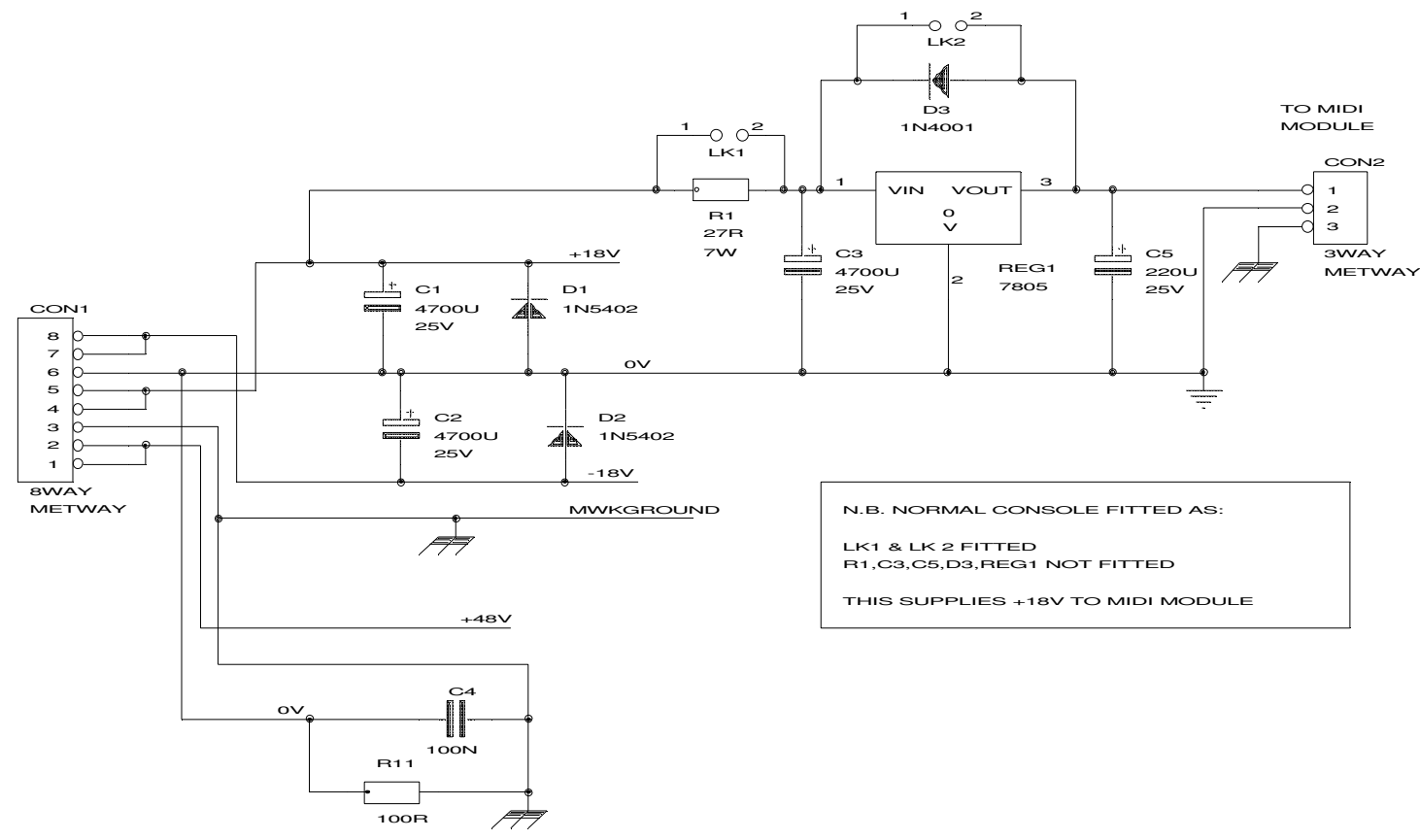


Power Input

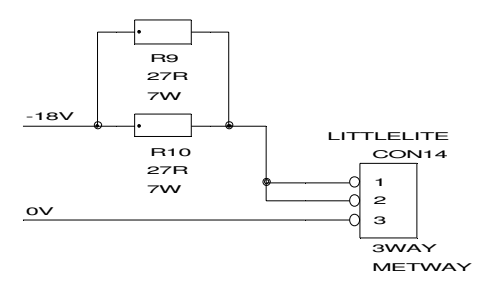
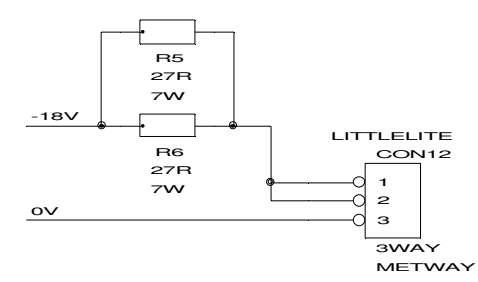
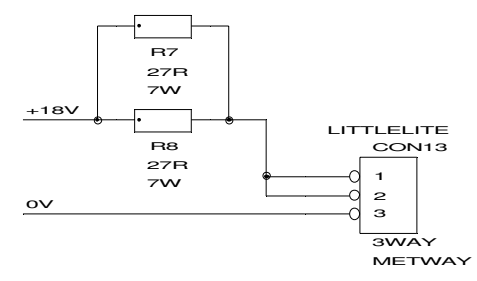
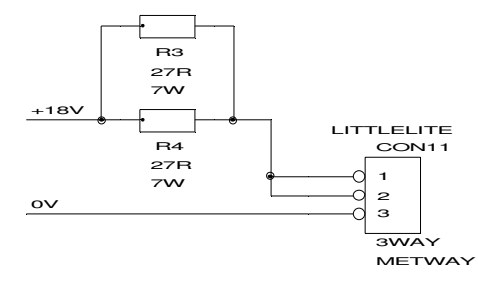
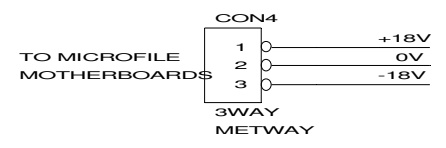
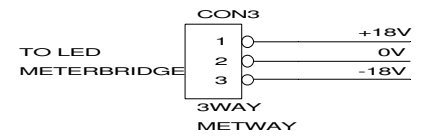




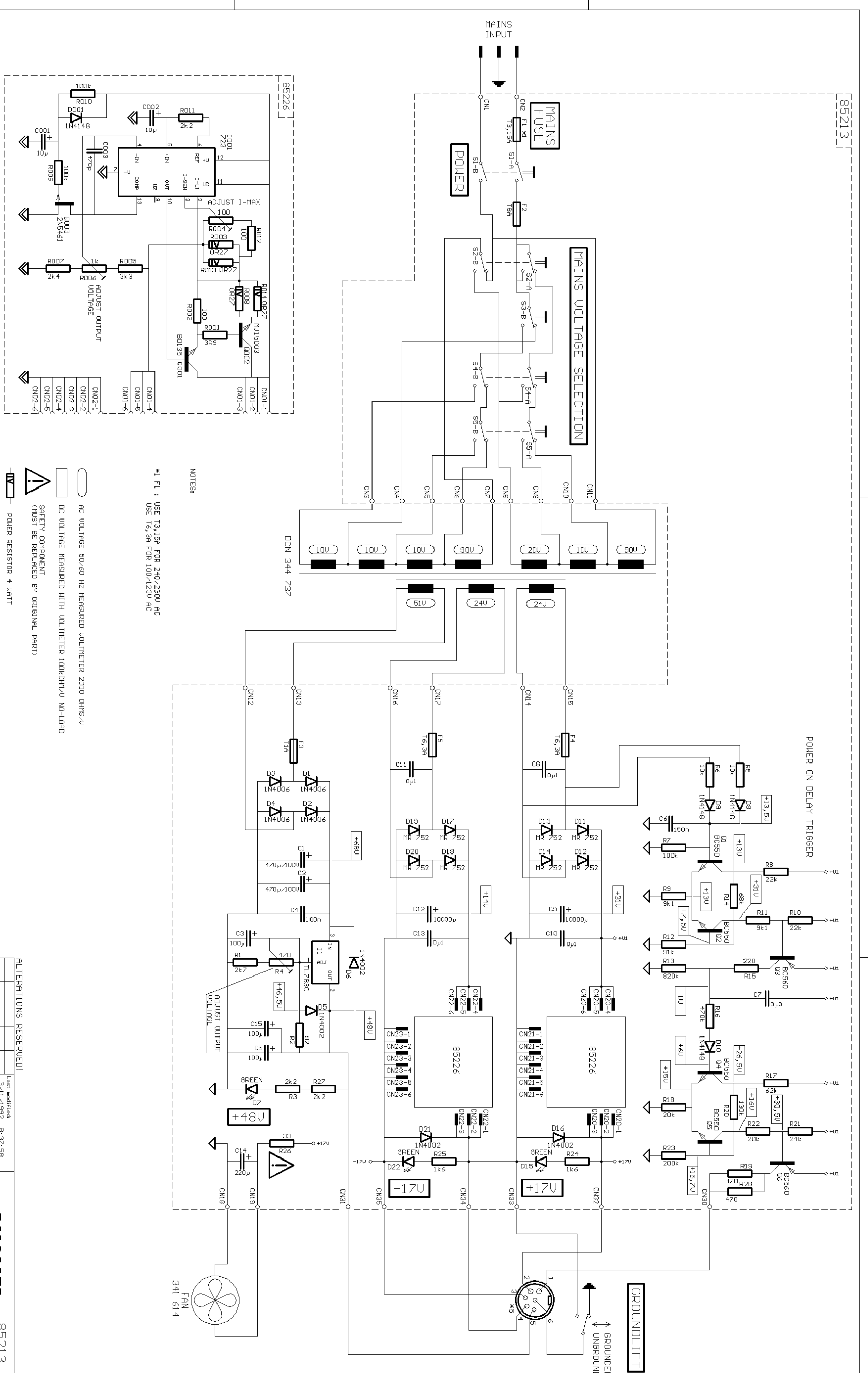
DDA, HOUNSLOW, MIDDLESEX, TW3 2EB, ENGLAND		
Title QMR/FORUM AUXILIARY CONNECTOR		
Size B	Document Number CD1193-1 PC1317-1	REV A
Date: August 4, 1993	Sheet 1	of 1



N.B. NORMAL CONSOLE FITTED AS:
 LK1 & LK 2 FITTED
 R1,C3,C5,D3,REG1 NOT FITTED
 THIS SUPPLIES +18V TO MIDI MODULE



DDA, HOUNSLOW, MIDDX, TW3 2EB, ENGLAND.		
TEL:(0)81-570-7161 FAX:(0)81-577-3677		
Title POWER DISTRIBUTION (PC1357-1)		
Size B	Document Number CD1239-1	REV A
Date: February 14, 1995	Sheet 1	of 1



NOTES:
 *1 F1 : USE T3,15A FOR 240/230V AC
 USE T6,3A FOR 100/120V AC

- AC VOLTAGE 50/60 HZ MEASURED VOLTMETER 2000 OHMS/V
- DC VOLTAGE MEASURED WITH VOLTMETER 100KOHM/V NO-LOAD
- SAFETY COMPONENT (MUST BE REPLACED BY ORIGINAL PART)
- POWER RESISTOR + 1WATT
- 2N 5461
- HU 15003
- BU 135
- TL 783C
- BC 550/560
- 723
- 14

ALTERATIONS RESERVED!

3/11/1992	81:37:58	Last modified
26/08/1994	12:58:32	Last printed
1981		DATE
		NAME
		DRAWN
		CHECKED
		STADLER
		APP'D

PSI2835B 85213
 85226

CIRCUIT DIAGRAM 1/1
 344 803
 INTERFACE

